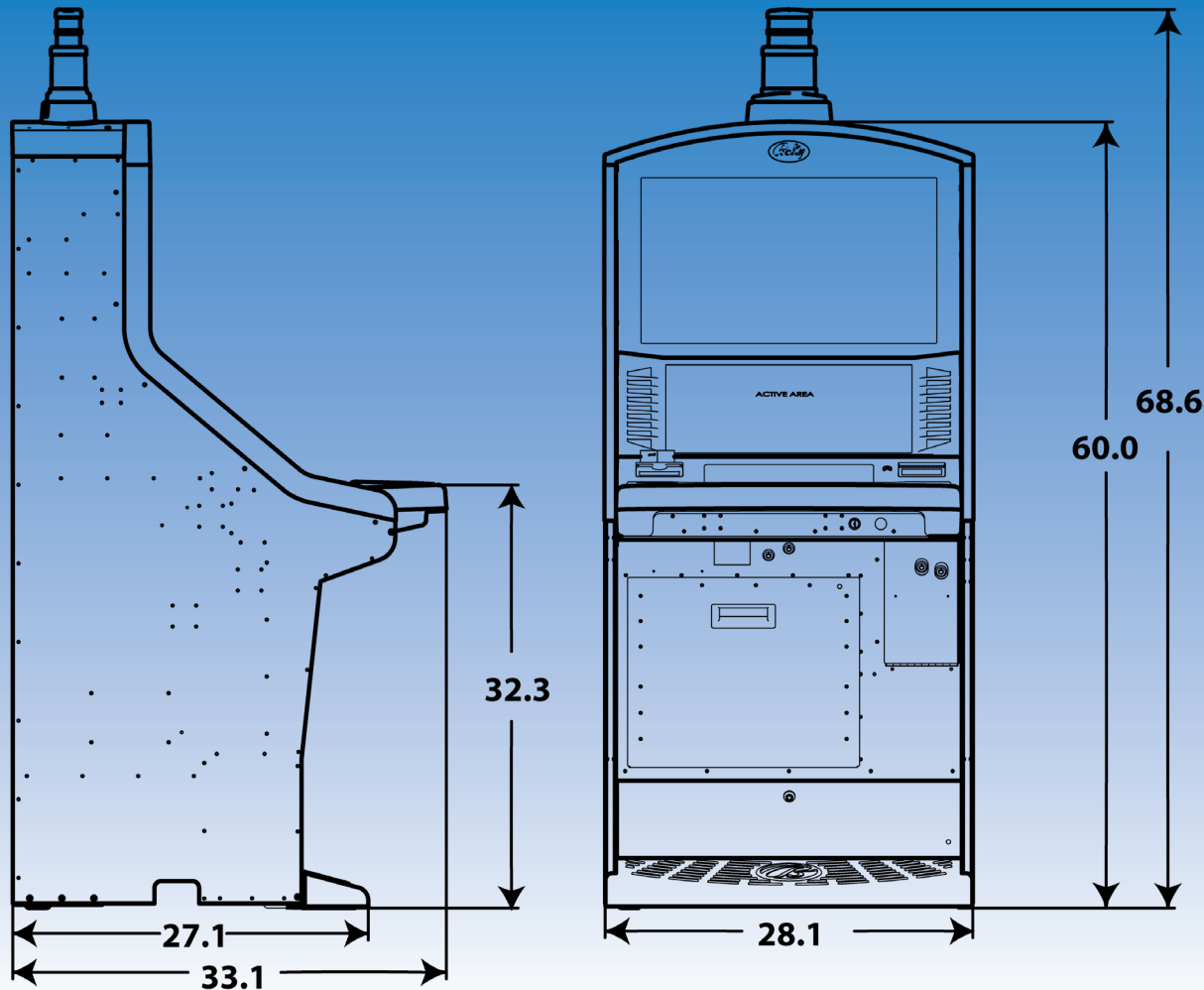


# Hardware Specifications



The **ALPHA 2 Pro Slant V22/26** video cabinet brings wide-screen high-definition video in a reduced height cabinet that preserves casino sight-lines. Padded armrests and advanced ergonomic design creates a *Comfort Zone™* for increased time on device.

- Powered by Alpha 2, using the latest dual-core processing technology, greatly expanded storage, and accelerated video graphics.
- Elimination of game glass simplifies game conversions.
- Complete download platform when configured with iDeck™, the gaming industry's first multi-touch programmable button panel.
- Cup holders and padded armrest allows for extended periods of play with maximum comfort.
- Ergonomically located space for player tracking systems above the button deck.
- Digital Signal Processing sound system custom designed for the modern gaming environment and located to the sides of the display to produce a cinematic surround-sound audio effect.
- High definition wide screen 22" touch screen game display with 26" high-definition wide screen secondary display.
- Super Candle adds eye-catching LED color display to increase player attraction.

# Alpha 2 Pro™ Slant V22/26

## Specifications

<b>BILL ACCEPTORS</b>	JCM® WBA®/UBA™, MEI Cashflow™ Ardac, Cash Code,
BILL ACCEPTOR BEZEL OPTIONS	LED Bezel (standard), Sentry™
BILL ACCEPTOR CASHBOX OPTIONS	Metal, Plastic, JCM ICB, JCM 1,000 note, MEI Easitrax, MEI 1,000 note

<b>TICKET PRINTERS</b>	Ithaca® 950, FutureLogic Gen2™
COIN ACCEPTORS	Coin Mech Inc MC-40
HOPPERS	Asahi Seiko WH3

<b>PROGRESSIVE SUPPORT</b>	Internal, Linked (onscreen display)
----------------------------	-------------------------------------

<b>BUTTON PANELS SUPPORTED*</b>	8 Button, 10 Button, 11 button, 14 button, 16 button, Unibutton, iDeck™
---------------------------------	---

<b>CUSHIONED FRONT BUMPER</b>	Extended/Ergonomic
-------------------------------	--------------------

<b>FOOTREST</b>	Standard, Sled
-----------------	----------------

<b>TOPPERS*</b>	Elliptical
-----------------	------------

<b>SAS VERSIONS SUPPORTED</b>	SAS 6.01 with AFT, Promotional Credits, Earlier SAS versions also supported.
-------------------------------	--

<b>SCREEN</b>	Game Display: 22.0" diagonal Secondary Display: 26" diagonal
---------------	---

<b>SCREEN RESOLUTION</b>	1360 × 768 pixels
--------------------------	-------------------

<b>RECOMMENDED SEAT HEIGHT</b>	19.5"
--------------------------------	-------

<b>RECOMMENDED STAND HEIGHT</b>	No stand required
---------------------------------	-------------------

<b>CABINET</b>	
Weight:	336 lbs (152.7 kg)
Height with 2 tier Super Candle:	68.6" (1742 mm)
Height with 2 teir Stnadard Tower Light:	65.0" (1651 mm)
Height without Tower Light:	60.0" (1524 mm)
Width:	28.1" (714 mm)
Depth:	33.1" (841 mm)

<b>POWER SUPPORTED</b>	110 volts, 220 volts
Startup/Surge State:	1.9 A
Operating State:	2.2 A
Max Load @ 110 VAC:	6.3 A
Max Load @ 220 VAC:	3.15 A
Power Consumption:	856 BTU/hr
<i>Typical currents are provided for reference only. Actual current use will depend upon machine configuration and addition of supplemental equipment such as, but not limited to, systems monitoring equipment, progressive equipment, and service equipment.</i>	

<b>SAFETY RATINGS</b>	UL, CSA, CE, FCC
-----------------------	------------------

<b>FINISHES AND LAMINATES</b>	Chrome or Gold trim on Black, Custom laminate
-------------------------------	---

<b>TOWER LIGHTS</b>	2 Tier, 3 Tier, 4 Tier, Super Candle
---------------------	--------------------------------------

<b>LOCKS</b>	Deck lid, Drop door, Cash box door, Cash box, CPU, Compact-Flash® card, Bottom door. All lock openings are 5/8" x 3/4". Locks 1 1/8" long can be used with spacers to maintain the 1/2" lock length. Dual locks are optional.
--------------	---

\*game dependent

**Bally**  
TECHNOLOGIES®

www.BallyTech.com

6601 S. Bermuda Road  
Las Vegas, NV 89119  
(702) 584-7700 Phone  
(702) 584-7770 Fax