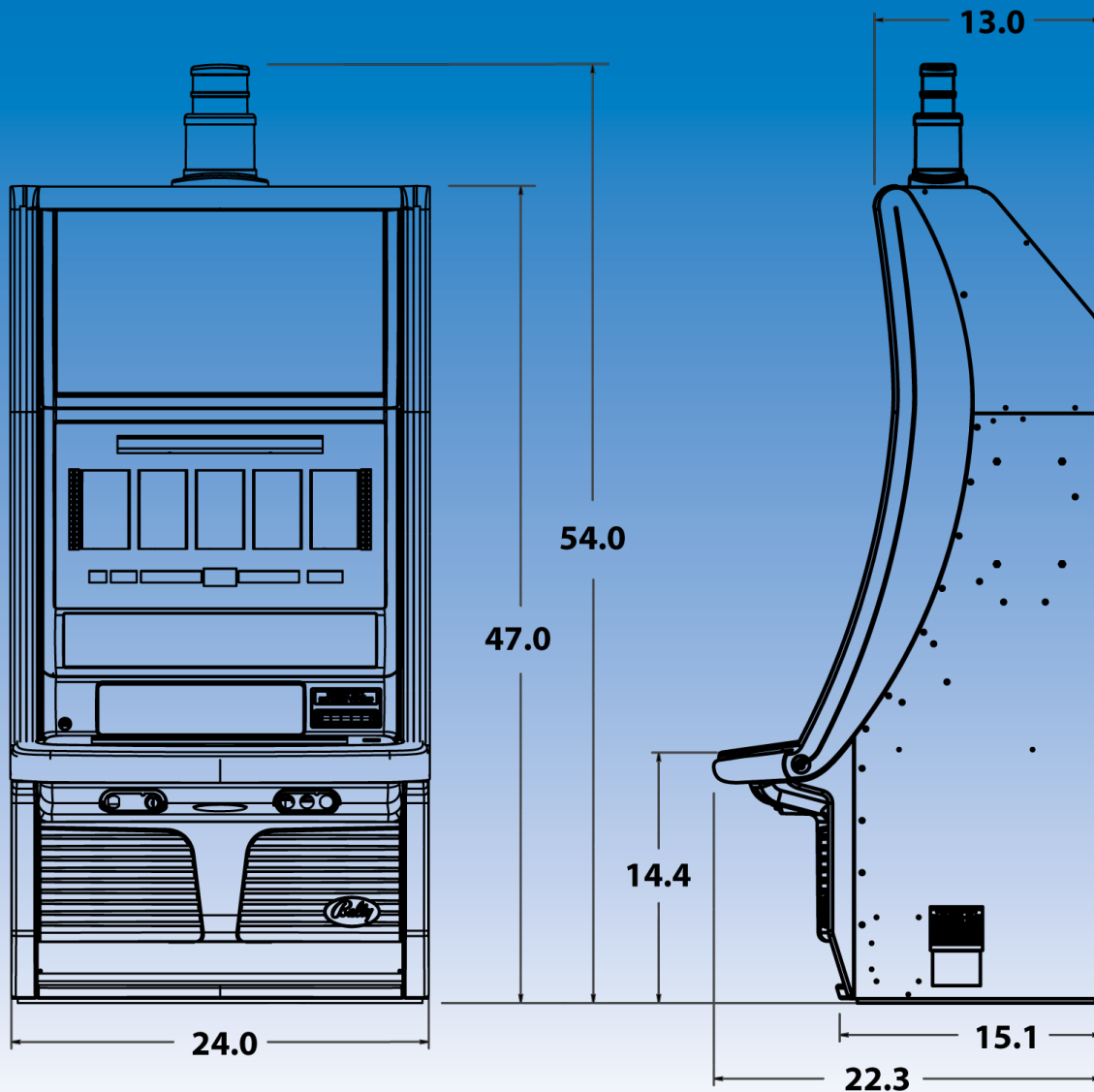


Hardware Specifications



The **ALPHA 2 Pro Stepper** cabinet brings traditional spinning reel games to the **ALPHA 2 Pro Series** product line. Traditional slot players will now have all of the **Pro Series** improvements such as lowered button deck for optimal player comfort, and new cabinet sidelighting that creates a *Comfort Zone*™ for increased time on device.

- Three and five reel configurations offering proven Bally themes with micro-stepping technology and “all-stop” control.
- Powered by Alpha 2, using the latest dual-core processing technology, greatly expanded storage, and accelerated video graphics.
- Design improvements resulting from extensive review with veteran casino operators.
- Elimination of game glass simplifies game conversions.
- Available with the revolutionary iDeck™ for easy game setup.
- Combined bill in and ticket out path simplifies player interaction.
- Digital Signal Processing sound system custom designed for the modern gaming environment and located to the sides of the display to produce a cinematic surround-sound audio effect.
- High definition wide screen 22” touch screen game display.

Alpha 2 Pro™ Stepper

Specifications

BILL ACCEPTORS	JCM® UBA™, JCM® iVizion™, MEI Cashflow™, Cash Code, Ardac
BILL ACCEPTOR BEZEL OPTIONS	LED Bezel (standard)
BILL ACCEPTOR CASHBOX OPTIONS	Plastic, JCM ICB, JCM 1,000 note, MEI Easitrax, MEI 1,000 note
TICKET PRINTERS	Ithaca® 950, FutureLogic Gen2 Universal™, Nanoptix Paycheck™ 4
COIN ACCEPTORS	Not available
HOPPERS	Not available
PROGRESSIVE SUPPORT	Internal, Linked (onscreen display)
BUTTON PANELS SUPPORTED*	5 Button, 8 Button, 10 Button, 11 Button, 14 button, 16 button, iDeck™
FRONT BUMPER	Extended/Ergonomic
TOPBOXES OFFERED	Slant back
TOPPERS*	Pro (Standard and Digital) Elliptical
SAS VERSIONS SUPPORTED	SAS 6.01 with AFT, Promotional Credits, Earlier SAS versions also supported.
SCREEN	Game Display: 22" diagonal
SCREEN RESOLUTION	1360 × 768 pixels

RECOMMENDED STAND HEIGHT	18" (457 MM)
CABINET	
Weight:	237 lbs (107.7 kg)
Height with Tower Light:	54.3" (1379 mm)
Width:	24.0" (610 mm)
Base Depth:	15.1" (384 mm)
Overall Depth:	22.3" (566 mm)
POWER SUPPORTED	110 volts, 220 volts
Startup/Surge State:	1.2 A
Operating State:	1.2 A
Max Load @110VAC:	6.3 A
Max Load @220VAC:	3.15 A
Power Consumption:	467 BTU/hr
<i>Typical currents are provided for reference only. Actual current use will depend upon machine configuration and addition of supplemental equipment such as, but not limited to, systems monitoring equipment, progressive equipment, and service equipment.</i>	
SAFETY RATINGS	UL, CSA, CE, FCC
FINISHES	Chrome or Gold trim on Black
LAMINATES	Black powder coat standard, custom laminates available.
TOWER LIGHTS	2 Tier and 3 Tier Super Candle
LOCKS	Main door, Drop door, Cash box door, Cash box, CPU, CompactFlash® card. All lock openings are 5/8" x 3/4". Locks 1 1/8" long can be used with spacers to maintain the 1/2" lock length. Dual locks are optional.

*game dependent



www.BallyTech.com

6601 S. Bermuda Road
Las Vegas, NV 89119
(702) 584-7700 Phone
(702) 584-7770 Fax