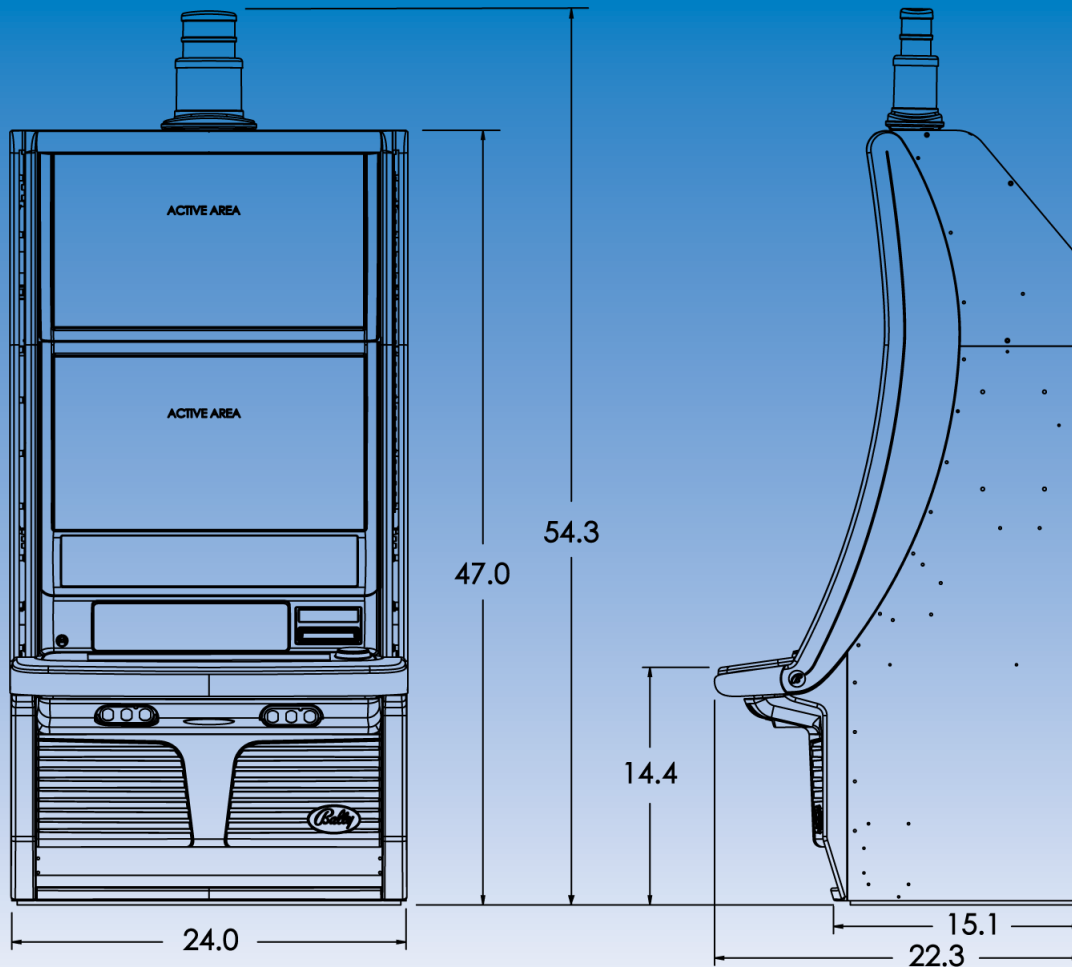


# Hardware Specifications



The **ALPHA 2 Pro V22/22** video cabinet takes wide-screen high-definition video to the next level. The lowered button deck allows for optimal player comfort, while the new cabinet sidelighting creates a *Comfort Zone™* for increased time on device.

- Powered by Alpha 2, using the latest dual-core processing technology, greatly expanded storage, and accelerated video graphics.
- Design improvements resulting from extensive review with veteran casino operators.
- Elimination of game glass simplifies game conversions.
- Complete download platform when configured with iDeck™.
- Combined bill in and ticket out path simplifies player interaction.
- Ergonomically located space for player tracking systems above the button deck.
- Digital Signal Processing sound system custom designed for the modern gaming environment and located to the sides of the display to produce a cinematic surround-sound audio effect.
- Dual high definition wide screen 22" touch screen game displays.

# Alpha 2 Pro™ V22/22

## Specifications

<b>BILL ACCEPTORS</b>	JCM® UBA™, JCM® iVizion™, MEI Cash flow™, Cash Code, Ardac
BILL ACCEPTOR BEZEL OPTIONS	LED Bezel (standard)
BILL ACCEPTOR CASHBOX OPTIONS	Plastic, JCM ICB, JCM 1,000 note, MEI Easitrax, MEI 1,000 note
<b>TICKET PRINTERS</b>	Ithaca® 950, FutureLogic Gen2 Universal™, Nanoptix Paycheck™ 4
COIN ACCEPTORS	Not available
HOPPERS	Not available
<b>PROGRESSIVE SUPPORT</b>	Internal, Linked (onscreen display)
<b>BUTTON PANELS SUPPORTED*</b>	8 Button, 10 Button, 11 Button, 14 button, 14 button Uni-Button, 16 button, iDeck™
<b>FRONT BUMPER</b>	Extended/Ergonomic
<b>TOPBOXES OFFERED</b>	Slant back
<b>TOPPERS*</b>	Pro (Standard and Digital), Elliptical
<b>SAS VERSIONS SUPPORTED</b>	SAS 6.01 with AFT, Promotional Credits, Earlier SAS versions also supported.
<b>SCREEN</b>	Game Display: 22" diagonal Secondary Display: 22" diagonal
<b>SCREEN RESOLUTION</b>	1360 × 768 pixels

<b>RECOMMENDED STAND HEIGHT</b>	18" (457 MM)
<b>CABINET</b>	
Weight:	236 lbs (107.3 kg)
Height with Tower Light:	54.3" (1379 mm)
Width:	24.0" (610 mm)
Base Depth:	15.1" (384 mm)
Overall Depth:	22.3" (566 mm)
<b>POWER SUPPORTED</b>	110 volts, 220 volts
Startup/Surge State:	2.0 A
Operating State:	1.7 A
Max Load @110VAC:	6.3 A
Max Load @220VAC:	3.15 A
Power Consumption:	661 BTU/hr
<i>Typical currents are provided for reference only. Actual current use will depend upon machine configuration and addition of supplemental equipment such as, but not limited to, systems monitoring equipment, progressive equipment, and service equipment.</i>	
<b>SAFETY RATINGS</b>	UL, CSA, CE, FCC
<b>FINISHES</b>	Chrome or Gold trim on Black
<b>LAMINATES</b>	Black powder coat standard, custom laminates available.
<b>TOWER LIGHTS</b>	2 Tier and 3 Tier Super Candle
<b>LOCKS</b>	Main door, Drop door, Cash box door, Cash box, CPU, CompactFlash® card. All lock openings are 5/8" x 3/4". Locks 1 1/8" long can be used with spacers to maintain the 1/2" lock length. Dual locks are optional.

\*game dependent



www.BallyTech.com

6601 S. Bermuda Road  
Las Vegas, NV 89119  
(702) 584-7700 Phone  
(702) 584-7770 Fax