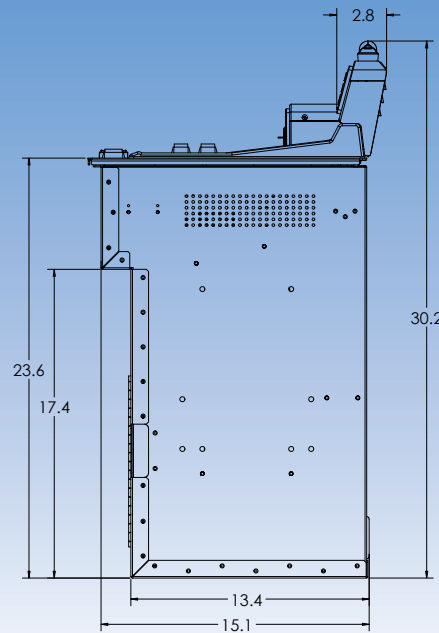
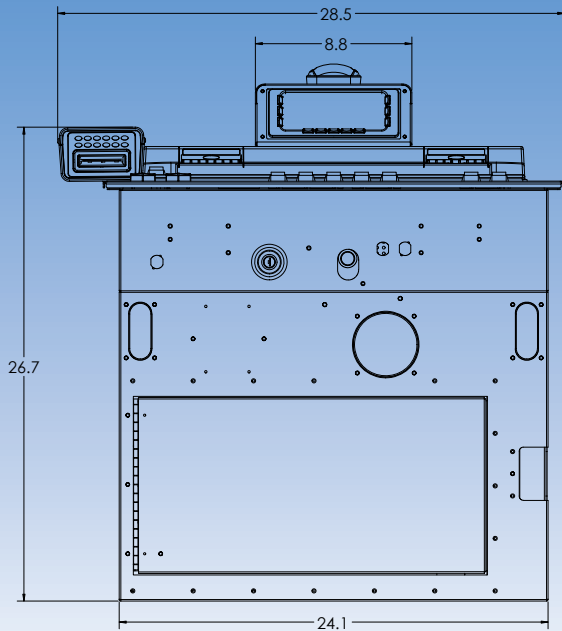
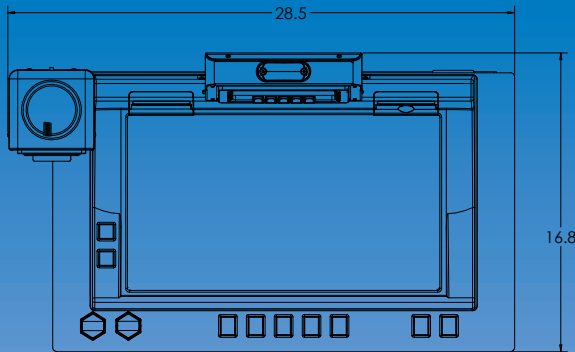


# Hardware Specifications

with Player Tracking



The sleek new **ALPHA Elite™ BarTop** from Bally is designed to maximize player time-on-device with an array of unique player-centric features. A 20-inch High-Definition widescreen LCD display offers razor-sharp graphics as well as a player-friendly touch-screen interface. Plus, the unit's integrated bill validator and ticket printer assemblies provide enhanced customer convenience without detracting from the bartop's clean, modern design. The **Alpha Elite™ BarTop** also incorporates advanced player-tracking systems, as well as the following other key benefits:

- User-friendly ALPHA OS interface
- Bill validator and ticket printer located above the monitor for spill-proof protection
- Engineered to fit easily into industry-standard bar-top configurations
- Low-maintenance design saves money and reduces downtime

# Alpha Elite™ Bar Top

## Specifications

### BILL VALIDATORS

JCM UBA, MEI Cashflow

#### BV BEZEL OPTIONS

(BV DEPENDENT): LED Bezel (standard)

BV CASHBOX OPTIONS:  
(BV DEPENDENT) Metal  
Plastic, JCM Intelligent,  
MEI easitrax™

### TICKET PRINTERS

TransAct Epic™ 950,  
Future Logic Gen 2

### PROGRESSIVE SUPPORT

Internal, External

### BUTTON PANELS SUPPORTED

10-Button, Uni-Button, 11-Button Class II

### SAS VERSIONS SUPPORTED

Up to SAS 6.01 with AFT Promotional Credits

### SCREEN

Diagonal: 20.1"  
17.5" × 9.8" (viewable)

### SCREEN RESOLUTION

1360 × 768 pixels

### RECOMMENDED SEAT HEIGHT

Varies based on bar design

### DIMENSIONS

Weight: 135 lbs (61.2 kg)  
Top: 26.0" (661mm) × 15.7" (399mm)  
Base: 24.1" (612mm) × 13.5" (343mm)  
Height to Button Panel: 23.4" (594mm)  
Height at BV: 25.4" (645mm)  
Height with Player Tracking: 30.9" (785mm)

### POWER SUPPORTED

110 volts, 220 volts  
Startup/Surge State: 1.3 A  
Operating State: 1.1 A  
Max Load: 6.3 A  
Power Consumption: 428 BTU/hr

*Typical currents are provided for reference only. Actual current use will depend upon machine configuration and addition of supplemental equipment such as, but not limited to, systems monitoring equipment, progressive equipment, and service equipment.*

### SAFETY RATINGS

UL, CSA, CE, FCC

### FINISHES AND LAMINATES

Brushed Stainless

### LOCKS

Main Door, Lower Cabinet Access, Cash Box Door, Cash Box,  
MPU, CF Card

\*game dependent



www.BallyTech.com

6601 S. Bermuda Road  
Las Vegas, NV 89119  
(702) 584-7700 Phone  
(702) 584-7770 Fax

ALPHAEliteBarTop Spec Sheet 0709v3.0 ©2008 Bally Technologies, Inc.