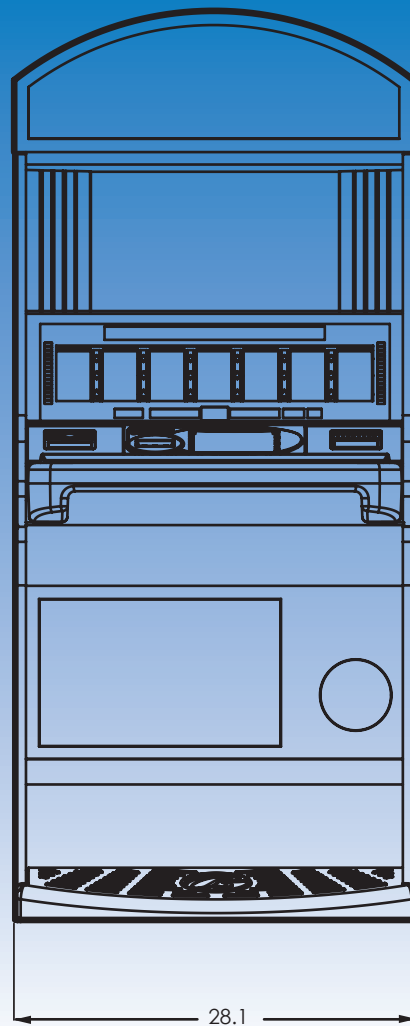
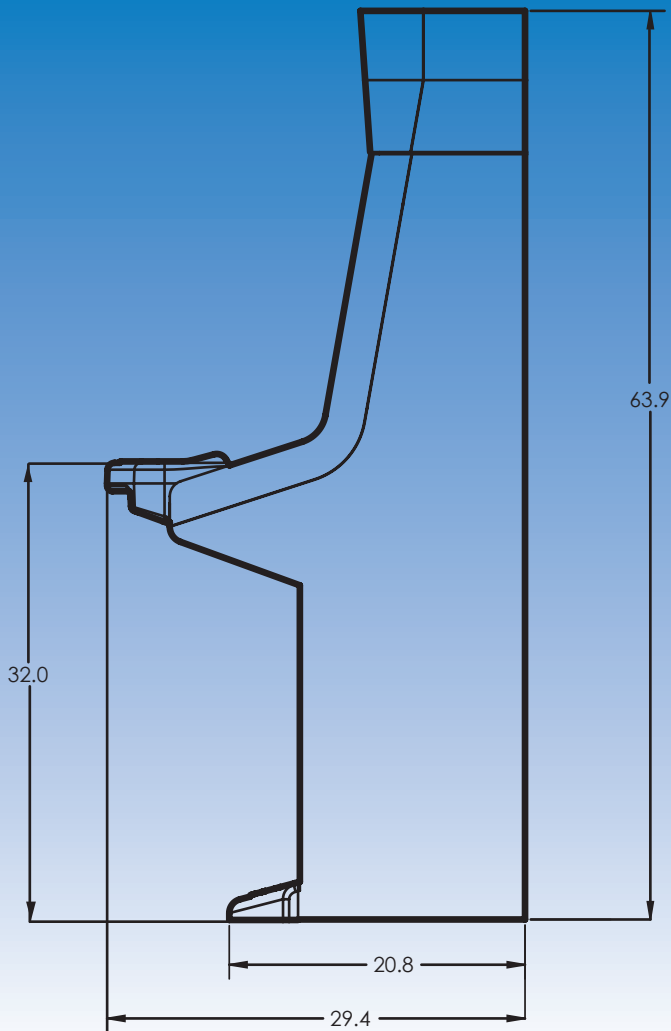


Hardware Specifications



CineReels™ merges Bally's highly successful ALPHA Elite™ S9E stepper games with our unique CineVision™ style cabinet. **CineReels™** also debuts the industry's first seven reel stepper game and the latest in micro-stepping reel technologies. Bally's outstanding library of three, four, five and seven-reel S9E stepper games are all available in this cinematic new format. Here are just some of the many outstanding features of this exciting new stepper platform:

- Supports Bally's extensive library of S9E three, four or five-reel stepper titles
- **Reel Mask™** displays winning reel combinations in a colorful new and vibrant format
- New micro-stepping technology offers players unprecedented "all-stop" control of their gaming action
- The gaming industry's first **Seven-reel Stepper** slot configuration
- Dazzling widescreen LCD monitor ergonomically mounted above the reels offers "cinematic" graphics and touch-screen convenience
- Switched and un-switched outlets included

Specifications

BILL VALIDATORS	JCM UBA, MEI Cashflow
BV BEZEL OPTIONS (BV DEPENDENT):	LED Bezel (standard), Sentry
BV CASHBOX OPTIONS (BV DEPENDENT):	Metal, Plastic, JCM Intelligent, MEI easitrax™
TICKET PRINTERS	TransAct Epic™ 950, Future Logic Gen 2
COIN ACCEPTORS	MC-40 (Coin Mechanisms Inc.) IDX®
COIN TRAY	Optional
HOPPERS	Asahi Seiko®
PROGRESSIVE SUPPORT	Internal, External (on-screen display)
BUTTON PANELS SUPPORTED	5-Button, 8-Button, 10-Button, 11-Button, 14-Button, 16-Button, Uni-Button™, Fireball
FOOTREST	Standard, Sled
TOP BOXES OFFERED*	10" Arch
TOPPERS*	Oval
SAS VERSIONS SUPPORTED	Up to SAS 6.01 with AFT Promotional Credits.
SCREEN	Diagonal: 20.1" 17.5" × 9.8" (viewable)
SCREEN RESOLUTION	1360 × 768 pixels

RECOMMENDED STAND HEIGHT	No stand required
RECOMMENDED SEAT HEIGHT	19.5"
DIMENSIONS	Weight: 367 lbs (166.4 kg) Top: 63.9" (1623mm) × 28.1" (714mm) Base: 29.4" (745mm) (H × W × D)
POWER SUPPORTED	110 volts, 220 volts Startup/Surge State: 3.2 A Operating State: 2.2 A Max Load: 6.3 A Power Consumption: 868 BTU/hr <i>Typical currents are provided for reference only. Actual current use will depend upon machine configuration and addition of supplemental equipment such as, but not limited to, systems monitoring equipment, progressive equipment, and service equipment.</i>
SAFETY RATINGS	UL, CSA, CE, FCC
FINISHES AND LAMINATES	Chrome, Gold, Custom, Black, Custom Laminate
LOCKS	Main Door, Lower Cabinet Access, Cash Box Door, Cash Box, MPU, CF Card

*game dependent



www.BallyTech.com

6601 S. Bermuda Road
Las Vegas, NV 89119
(702) 584-7700 Phone
(702) 584-7770 Fax