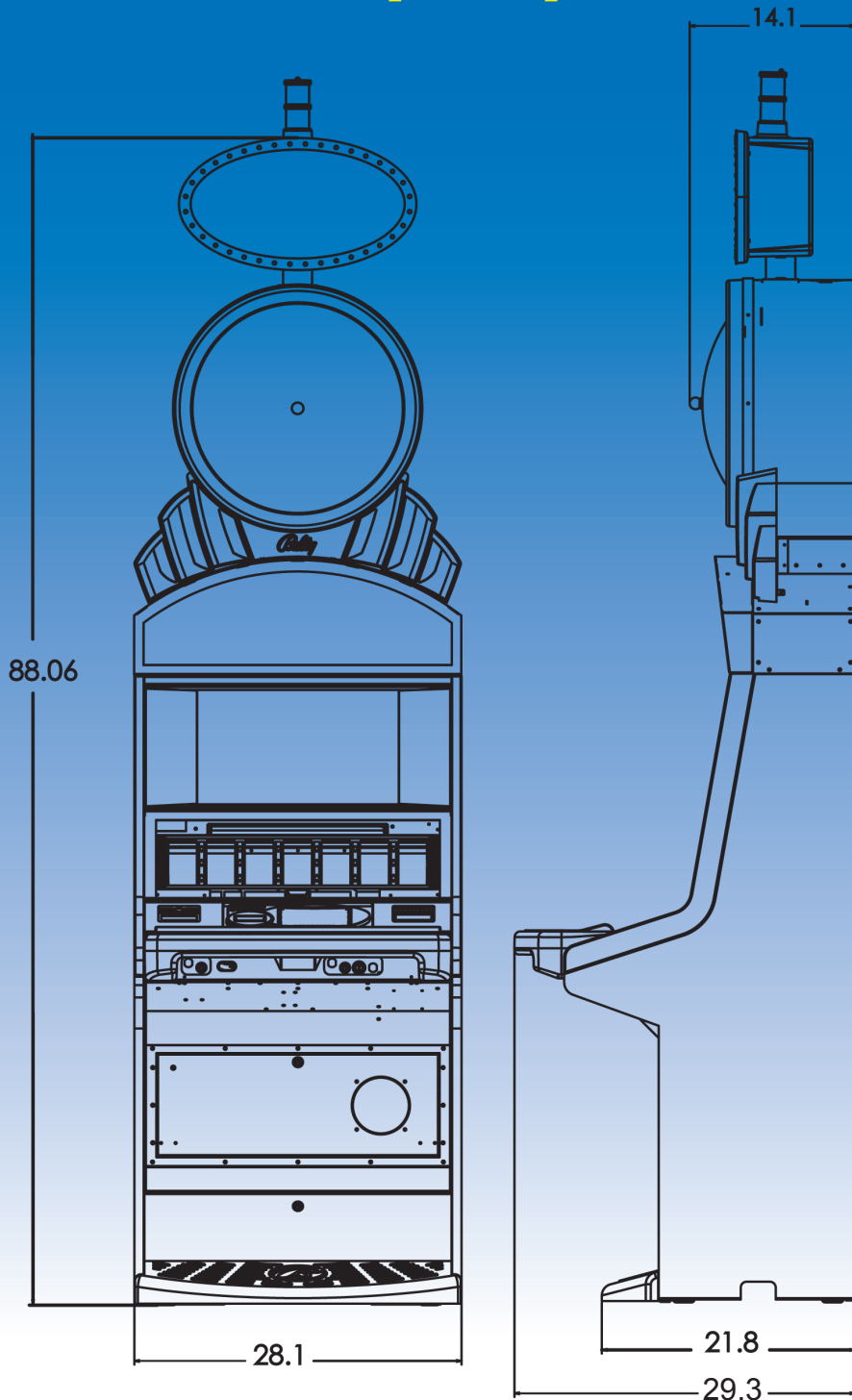


# Hardware Specifications



with Reel Winners™ Top Box

**CINEREELS™**  
SERIES



**CineReels™** with **Reel Winners™ Top Box** merges Bally's highly successful ALPHA **CineReels™** stepper games with our unique bonus top box. With the latest in micro-stepping reel technologies, Bally is building on its outstanding library of stepper game titles to now include both **Instant Spin** and **Multi Spin** top box games, all available in this cinematic new format. Here are just some of the many outstanding features of this exciting new stepper platform:

- Supports Bally's growing library of **Instant Spin** and **Multi Spin** stepper titles
- **Reel Mask™** displays winning reel combinations in a colorful new and vibrant format
- New micro-stepping technology offers players unprecedented "all-stop" control of their gaming action

Dazzling widescreen LCD monitor ergonomically mounted above the reels offers "cinematic" graphics and touch-screen convenience

- Switched and un-switched outlets included

SUBMITTED: N/A

APPROVED: N/A

RELEASE DATE: Released

# CineReels™ with Reel Winners™ Top Box

## Specifications

<b>BILL VALIDATORS</b>	JCM UBA, MEI Cashflow
BV BEZEL OPTIONS (BV DEPENDENT):	LED Bezel (standard), Sentry
BV CASHBOX OPTIONS (BV DEPENDENT):	Metal, Plastic, JCM Intelligent, MEI easitrax™
<b>TICKET PRINTERS</b>	TransAct Epic™ 950, Future Logic Gen 2
<b>PROGRESSIVE SUPPORT</b>	Internal, External (on-screen display)
<b>BUTTON PANELS SUPPORTED</b>	5-Button, 8-Button, 11-Button, 14-Button, 16-Button, Fireball
<b>FOOTREST</b>	Standard, Sled
<b>TOP BOXES OFFERED*</b>	10" Arch
<b>TOPPERS*</b>	Oval
<b>SAS VERSIONS SUPPORTED</b>	Up to SAS 6.01 with AFT Promotional Credits.
<b>SCREEN</b>	Diagonal: 20.1" 17.5" × 9.8" (viewable)
<b>SCREEN RESOLUTION</b>	1360 × 768 pixels

<b>RECOMMENDED STAND HEIGHT</b>	No stand required
<b>RECOMMENDED SEAT HEIGHT</b>	19.5"
<b>DIMENSIONS</b>	Weight: 419 lbs (190.5 kg) Top: 88.06" (2236.7mm) × 28.07" (712.98mm) Base: 29.41" (747.01mm) (H × W × D))
<b>POWER SUPPORTED</b>	110 volts, 220 volts Startup/Surge State: A Operating State: A Max Load: A Power Consumption: BTU/hr <i>Typical currents are provided for reference only. Actual current use will depend upon machine configuration and addition of supplemental equipment such as, but not limited to, systems monitoring equipment, progressive equipment, and service equipment.</i>
<b>SAFETY RATINGS</b>	UL, CSA, CE, FCC
<b>FINISHES AND LAMINATES</b>	Chrome, Gold, Custom, Black, Custom Laminate
<b>LOCKS</b>	Main Door, Lower Cabinet Access, Cash Box Door, Cash Box, MPU, CF Card

\*game dependent



www.BallyTech.com

6601 S. Bermuda Road  
Las Vegas, NV 89119  
(702) 584-7700 Phone  
(702) 584-7770 Fax