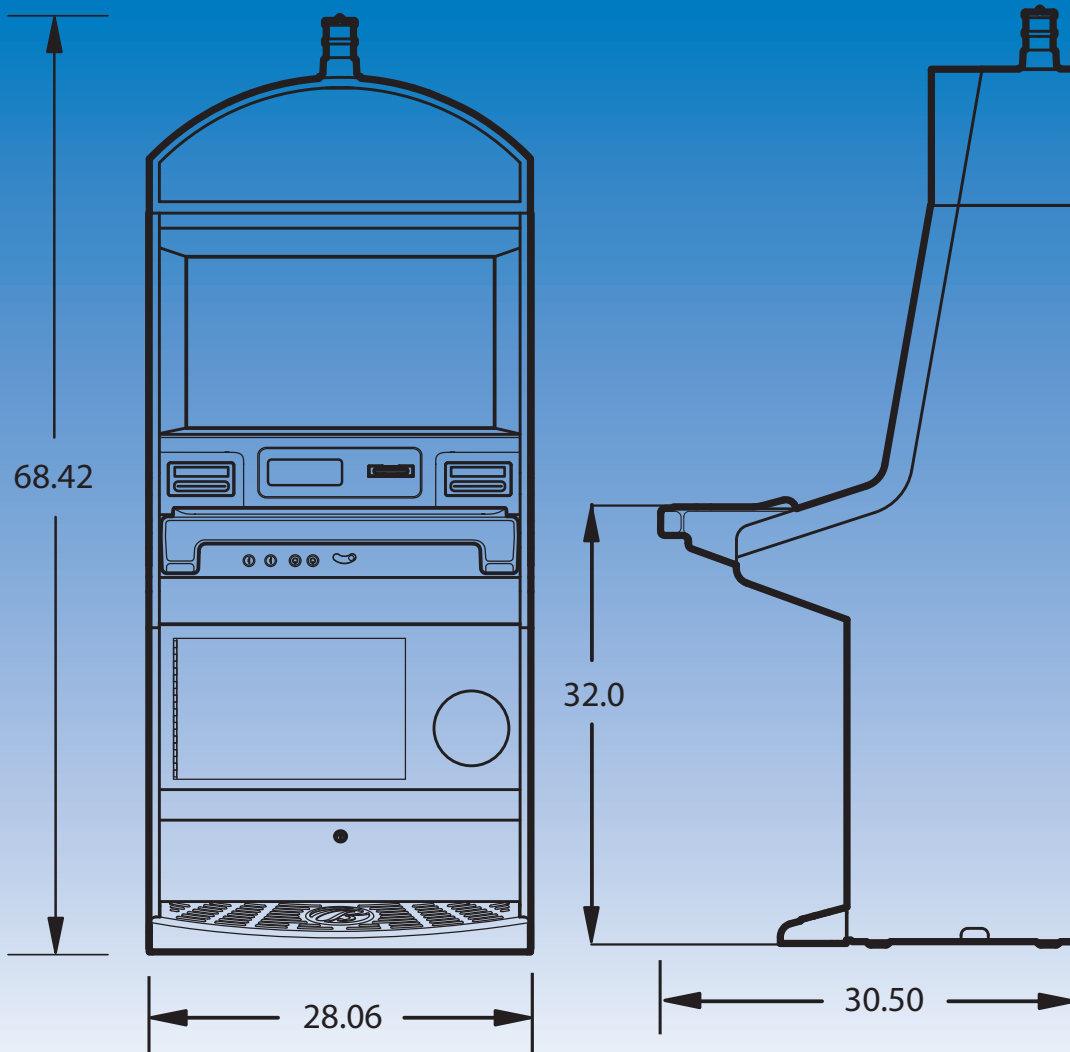


Hardware Specifications



The **CineVision** video cabinet uses the same 16:9 aspect ratio found in movie theaters and on the latest wide-screen home theaters. Padded armrests and advanced ergonomic design creates a "Comfort Zone™" for increased time on device.

- "Privacy Zone™" eliminates distractions and immerses the player in their own private gaming environment.
- Ergonomically located space for player tracking systems above the button deck.
- Stereo speakers located above the display produce a cinematic surround-sound audio effect.
- Uses Bally's ALPHA OS™ with its user-friendly interface.
- 1360 × 768 high definition 26" touch screen monitor.
- Switched and unswitched outlets included.
- Individual cabinet and main power switches.

CineVision™

Specifications

BILL ACCEPTORS JCM® WBA®/UBA™, MEI Cashflow™

BILL ACCEPTOR BEZEL OPTIONS LED Bezel (standard), Sentry™

BILL ACCEPTOR CASHBOX OPTIONS Metal, Plastic, JCM Intelligent

TICKET PRINTERS Ithaca® 950, FutureLogic Gen2™

COIN ACCEPTORS MC-40 (Coin Mechanisms Inc.)

IDX®

HOPPERS Asahi Seiko®

PROGRESSIVE SUPPORT Internal, Linked (onscreen display)

DECKS Standard, Quick-drop

BUTTON PANELS SUPPORTED

8 Button, 9 Button, 10 Button, 11 Button, 12 Button,
14 Button, 16 Button, Unibutton™

CUSHIONED FRONT BUMPER

Extended/Ergonomic

FOOTREST Standard, Sled

TOP BOXES OFFERED* 10" Arch

TOPPERS* Oval, Round, Rectangular

SAS VERSIONS SUPPORTED

SAS 6.01 with AFT, Promotional Credits,
Earlier SAS versions also supported.

SCREEN Diagonal: 26.0" Height: 12.60" Width: 24.21"

SCREEN RESOLUTION 1360 × 768 pixels

RECOMMENDED SEAT HEIGHT

19.5"

RECOMMENDED STAND HEIGHT

No stand required

CABINET

Weight: 334 lbs (151.4 kg)

Height with Tower Light: 68.42" (1738 mm)

Height without Tower Light: 62.92" (1598 mm)

Width: 28.06" (713 mm)

Depth: 30.50" (775 mm)

POWER SUPPORTED 110 volts, 220 volts

Startup/Surge State: 2.8 A

Operating State: 1.7 A

Max Load: 6.3 A

Power Consumption: 650 BTU/hr

Typical currents are provided for reference only. Actual current use will depend upon machine configuration and addition of supplemental equipment such as, but not limited to, systems monitoring equipment, progressive equipment, and service equipment.

SAFETY RATINGS UL, CSA, CE, FCC

FINISHES AND LAMINATES

Chrome or Gold on Black, Custom laminate

TOWER LIGHTS 2 Tier, 3 Tier, 4 Tier

LOCKS

Top box, Deck lid, Cash box door, Cash box, CPU, Compact-Flash® card, Quick-drop door (if selected), All lock openings are 5/8" x 3/4". Locks 1 1/8" long can be used with spacers to maintain the 1/2" lock length. Dual locks are optional.

*game dependent



www.BallyTech.com

6601 S. Bermuda Road
Las Vegas, NV 89119
(702) 584-7700 Phone
(702) 584-7770 Fax