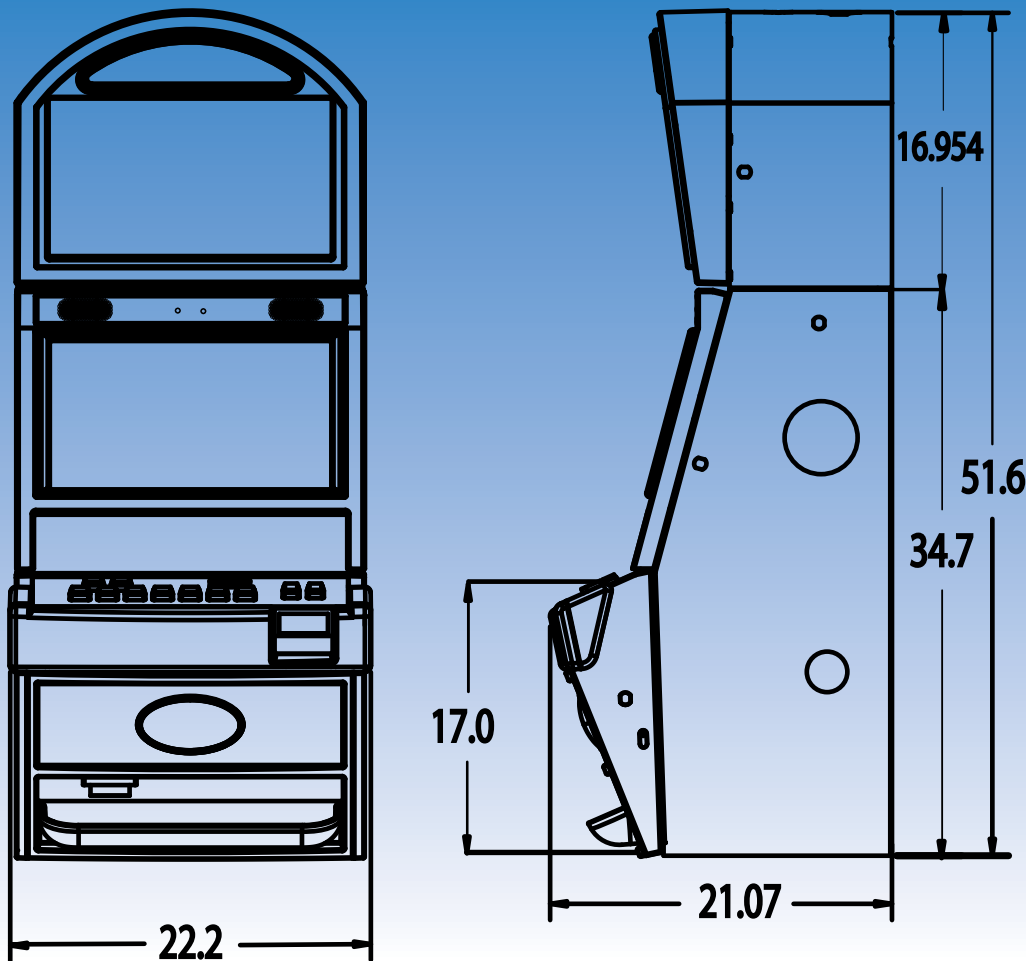


Hardware Specifications



The **Global ALPHA** cabinet broadens Bally's Alpha product line with a special offering for international markets. With a 20" high definition touchscreen monitor, Bally's new **Global ALPHA** is specifically designed for the needs of the international casino operator.

- Simplified cabinet features streamlines operator procedures.
- Works with all the ALPHA-based video games in our ALPHA product library and adds support for new high-definition gaming.
- Uses Bally's ALPHA OS™ with its user-friendly interface.
- 52.1" high allowing it to be placed back-to-back with Bally's ALPHA S9000™, ALPHA M9000™, ALPHA Elite™ S9C, and ALPHA Elite™ S9E.
- Ergonomically located space for player tracking systems above the button deck.
- Common components with Bally's ALPHA Elite™ product line, reducing spares inventory.
- Switched and unswitched outlets included.
- Low maintenance design, utilizing components like LED and cold-cathode lighting.



Global ALPHA

Specifications

BILL ACCEPTORS	JCM® WBA®/UBA™, MEI Cashflow™
BILL ACCEPTOR BEZEL OPTIONS	LED Bezel (standard), Sentry™
BILL ACCEPTOR CASHBOX OPTIONS	Metal, Plastic, JCM Intelligent, MEI easitrax™

TICKET PRINTERS	Ithaca® 950, FutureLogic Gen2™
COIN ACCEPTORS	MC-40 (Coin Mechanisms Inc.), IDX®
COIN TRAY	Optional
HOPPERS	Bally

PROGRESSIVE SUPPORT Internal, External, Mystery

ADJUSTABLE OPTIONS
Multi-denominational, Multi-percentage, Multi-line

BUTTON PANELS SUPPORTED
5 Button, 8 Button, 10 Button, 15 Button 16 Button, Unibutton™

CUSHIONED FRONT BUMPER
Extended/Ergonomic, Flat

TOP BOXES OFFERED*
17" Oval Top Box with glass

TOPPERS* Oval, Round, Elliptical

SAS VERSIONS SUPPORTED
SAS 6.01 with AFT, Promotional Credits, Earlier SAS versions also supported.

SCREEN
Diagonal: 20.1"
Height: 17.5"
Width: 9.8"

SCREEN RESOLUTION 1360 × 768 pixels

RECOMMENDED STAND HEIGHT
Oval Top: 18" (483 mm)

CABINET	
Weight:	190 lbs (86.4 kg)
Oval Top Box Cabinet Height with Tower Light:	57.10" (1450 mm)
Oval Top Box Cabinet Height without Tower Light:	52.10" (1323 mm)
Width:	21.50" (547 mm)
Depth:	22.86" (581 mm)

POWER SUPPORTED	110 volts, 220 volts
Startup/Surge State:	4.0 A
Operating State:	2.5 A
Max Load:	6.3 A
Power Consumption:	870.0 BTU/hr
<i>Typical currents are provided for reference only. Actual current use will depend upon machine configuration and addition of supplemental equipment such as, but not limited to, systems monitoring equipment, progressive equipment, and service equipment.</i>	

SAFETY RATINGS UL, CSA, CE, FCC

FINISHES AND LAMINATES
Standard finish on Black, or Chrome, Gold, Custom laminates available

TOWER LIGHTS 2 Tier Short/Tall, 3 Tier, 4 Tier

LOCKS
Top box, Upper cabinet, Lower cabinet, Cash box door, Cash box, CPU, CompactFlash® card, Stand, All lock openings are 5/8" x 3/4". Locks 1 1/8" long can be used with spacers to maintain the 1/2" lock length. Dual locks are optional.

*game dependent



www.BallyTech.com

6601 S. Bermuda Road
Las Vegas, NV 89119
(702) 584-7700 Phone
(702) 584-7770 Fax