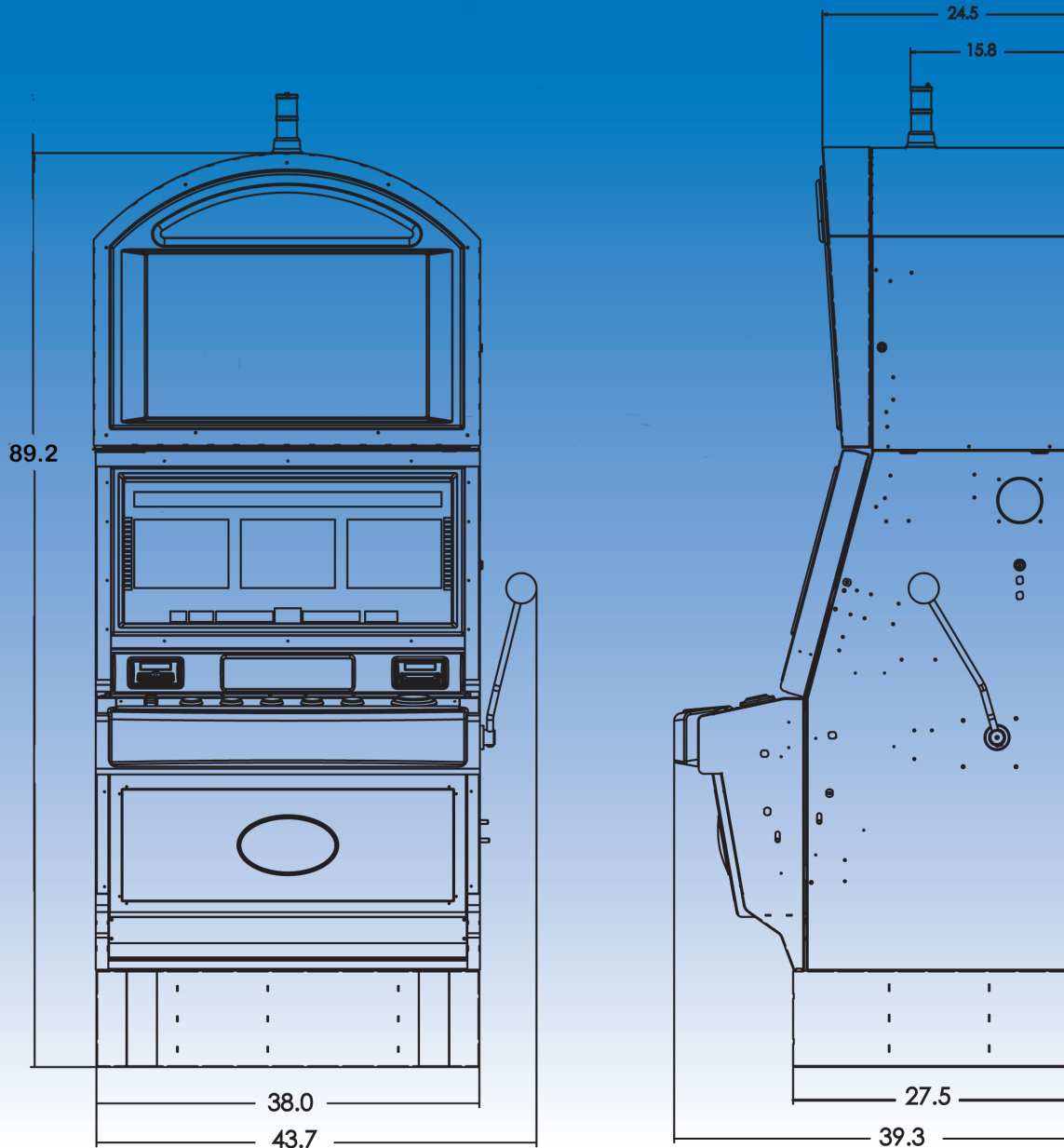


# Hardware Specifications



The **ALPHA Elite™ JUMBO Reels** gives players the big picture. With massive mechanical reels and a 32" high definition monitor in the top box, players can't help but be drawn to these dominating games.

- The **ALPHA Elite™ JUMBO Reels** works with all of the popular ALPHA based stepper games in our ALPHA S9000™ library and adds support for new high definition gaming.
- **ALPHA Elite™ JUMBO Reels** offers 3, 4, and 5 reel games along with a 32" touch-screen monitor in the top box.
- Massive 89" height makes for a commanding presence on casino floors.
- Eye-catching backlit LED active light bezels around the reels.
- Uses Bally's ALPHA OS™ with its user-friendly interface.
- Incorporates Bally's Universal Reel Glass, simplifying line configuration changes.
- Ergonomically located space for player tracking systems above the button deck.
- Common components with Bally's ALPHA Elite™ product line, reducing spares inventory.
- Switched and unswitched outlets included.
- Low maintenance design, utilizing components like LED and cold-cathode lighting.

# ALPHA Elite™ Jumbo Reels

## Specifications

<b>BILL ACCEPTORS</b>	JCM® WBA®/UBA™, MEI Cashflow™
BILL ACCEPTOR BEZEL OPTIONS	LED Bezel (standard), Sentry™
BILL ACCEPTOR CASHBOX OPTIONS	Metal, Plastic, JCM Intelligent, MEI easitrax™

<b>TICKET PRINTERS</b>	Ithaca® 950, FutureLogic Gen2™
COIN ACCEPTORS	Not available
COIN TRAY	Not available
HOPPERS	Not available

**PROGRESSIVE SUPPORT** Internal, External, Mystery

**ADJUSTABLE OPTIONS**  
Multi-denominational, Multi-percentage Multi-line

**BUTTON PANELS SUPPORTED**  
5 Button, 8 Button, 10 Button, 11 Button, 14 Button, 16 Button

**CUSHIONED FRONT BUMPER**  
Extended/Ergonomic, Flat

**TOP BOXES OFFERED\***  
Oval Top Box

**SAS VERSIONS SUPPORTED**  
SAS 6.01 with AFT, Promotional Credits Earlier SAS versions also supported.

**SCREEN**  
Diagonal: 31.5"  
Height: 15.4"  
Width: 27.5"

**SCREEN RESOLUTION** 1360 × 768 pixels

**RECOMMENDED STAND HEIGHT**  
Included with cabinet.

<b>CABINET</b>	
Weight:	630 lbs (286 kg)
Oval Top Box Cabinet Height with Tower Light:	94.7" (2405 mm)
Oval Top Box Cabinet Height without Tower Light:	89.2" (2266 mm)
Width:	38.0" (965 mm)
Depth:	39.3" (998 mm)

<b>POWER SUPPORTED</b>	110 volts, 220 volts
Startup/Surge State:	3.7 A
Operating State:	2.6 A
Max Load:	6.3 A
Power Consumption:	1011 BTU/hr
<i>Typical currents are provided for reference only. Actual current use will depend upon machine configuration and addition of supplemental equipment such as, but not limited to, systems monitoring equipment, progressive equipment, and service equipment.</i>	

**SAFETY RATINGS** UL, CSA, CE, FCC

**FINISHES AND LAMINATES**  
Chrome or Gold, Custom laminate

**TOWER LIGHTS** 2 Tier Short/Tall, 3 Tier, 4 Tier

**LOCKS**  
Top box, Upper cabinet, Lower cabinet/drop door, Security door, Cash box door, Cash box, CPU, CompactFlash® card. All lock openings are 5/8" x 3/4". Locks 1 1/8" long can be used with spacers to maintain the 1/2" lock length. Dual locks are optional.

\*game dependent



www.BallyTech.com

AJS HW Spec Sheet 1108v2.0

6601 S. Bermuda Road  
Las Vegas, NV 89119  
(702) 584-7700 Phone  
(702) 584-7770 Fax

©2008 Bally Technologies, Inc.