

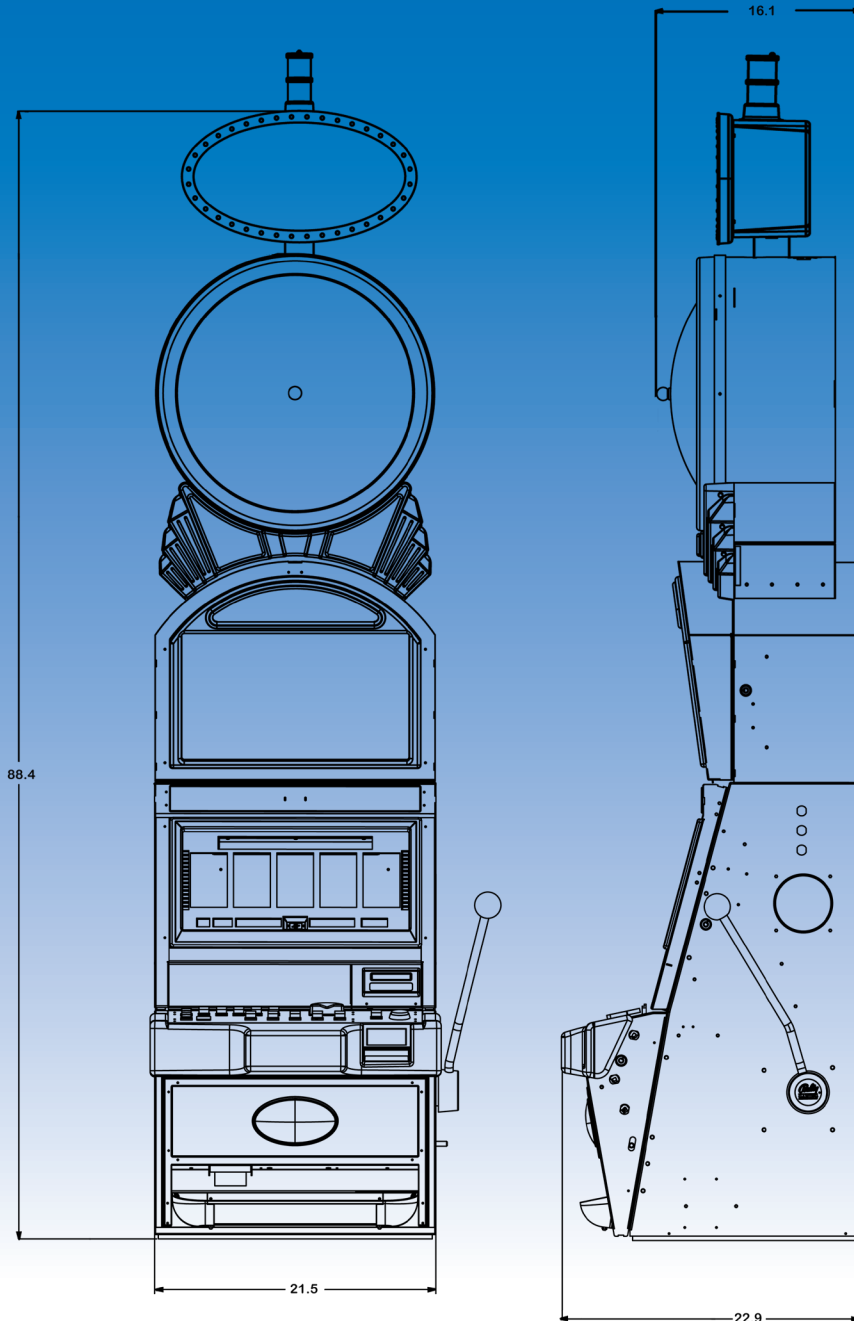
Hardware Specifications



ALPHA

Elite™ • S9E

With Reel Winners™ Top Box



The **ALPHA Elite S9E** with **Reel Winners™ Top Box** merges Bally's wildly successful **ALPHA Elite S9E** stepper games with our unique bonus top box. With mechanical reels and a 20" high definition monitor in the top box, players can't help but be drawn into the reel action. Bally is building on it's outstanding library of stepper games to include both **Instant Spin** and **Multi Spin** top box games.

- Supports Bally's growing library of **Instant Spin** and **Multi Spin** stepper titles.
- S9E offers 3 and 5 reel games along with a 20" touch-screen monitor in the top box.
- Height of over 88" offers commanding floor presence and strong player attraction.
- Eye-catching backlit LED active light bezels around the reels.
- Uses Bally's ALPHA OS™ with its user-friendly interface.
- Common components with Bally's ALPHA Elite product line, reducing spares inventory.
- Switched and unswitched outlets included.
- Low maintenance design, utilizing components like LEDs.

ALPHA Elite™ S9E with Reel Winners™ Top Box

Specifications

BILL ACCEPTORS

JCM® WBA®/UBA™, MEI Cashflow™	
BILL ACCEPTOR BEZEL OPTIONS	LED Bezel (standard), Sentry™
BILL ACCEPTOR CASHBOX OPTIONS	Metal, Plastic, JCM Intelligent, MEI easitrax™

TICKET PRINTERS

Ithaca® 950, FutureLogic Gen2™	
COIN ACCEPTORS	MC-40 (Coin Mechanisms Inc.), IDX®
COIN TRAY	Optional
HOPPERS	Bally

PROGRESSIVE SUPPORT

Internal, External, Mystery

ADJUSTABLE OPTIONS

Multi-denominational, Multi-percentage Multi-line

BUTTON PANELS SUPPORTED

5 Button, 8 Button, 10 Button, 15 Button 16 Button, Unibutton™

CUSHIONED FRONT BUMPER

Extended/Ergonomic, Flat

TOP BOXES OFFERED*

17" Oval with monitor

TOPPERS*

Elliptical

SAS VERSIONS SUPPORTED

SAS 6.01 with AFT, Promotional Credits Earlier SAS versions also supported.

SCREEN

Diagonal: 20.1"
Height: 17.5"
Width: 9.8"

SCREEN RESOLUTION

1360 × 768 pixels

RECOMMENDED STAND HEIGHT

Oval Top: 18" (457 mm)

CABINET

Weight:	287 lbs (130.5kg)
Oval Top Box Cabinet Height with Tower Light:	93.4" (2372 mm)
Oval Top Box Cabinet Height without Tower Light:	88.4" (2245 mm)
Width:	21.5" (547 mm)
Depth:	22.9" (581 mm)

POWER SUPPORTED

110 volts, 220 volts	
Startup/Surge State:	4.0 A
Operating State:	2.3 A
Max Load:	6.3 A
Power Consumption:	894 BTU/hr

Typical currents are provided for reference only. Actual current use will depend upon machine configuration and addition of supplemental equipment such as, but not limited to, systems monitoring equipment, progressive equipment, and service equipment.

SAFETY RATINGS

UL, CSA, CE, FCC

FINISHES AND LAMINATES

Chrome or Gold, Custom laminate

TOWER LIGHTS

2 Tier Short/Tall, 3 Tier, 4 Tier

LOCKS

Top box, Upper cabinet, Lower cabinet, Belly/drop door, Cash box door, Cash box, CPU, CompactFlash® card, Stand. All lock openings are 5/8" x 3/4". Locks 1 1/8" long can be used with spacers to maintain the 1/2" lock length. Dual locks are optional.

*game dependent

Bally
TECHNOLOGIES®

www.BallyTech.com

6601 S. Bermuda Road
Las Vegas, NV 89119
(702) 584-7700 Phone
(702) 584-7770 Fax

S9E with Reel Winners TB_C3_r0609v1.0 ©2009 Bally Technologies, Inc.