

# Hardware Specifications



The **ALPHA Elite S9E** gives players the big picture. With mechanical reels and a 20" high definition monitor in the top box, players can't help but be drawn into the reel action.

- The S9E works with all the hit ALPHA based stepper games in our ALPHA S9000™ library and adds support for new high definition gaming.

- S9E offers 3, 4, and 5 reel games along with a 20" touch-screen monitor in the top box.

- 52.1" high allowing it to be placed back-to-back with Bally's ALPHA S9000, ALPHA M9000™, ALPHA Elite™ S9C, and ALPHA Elite™ V20. Also available as a 48.03" chop top.

- Eye-catching backlit LED active light bezels around the reels.

- Uses Bally's ALPHA OS™ with its user-friendly interface.

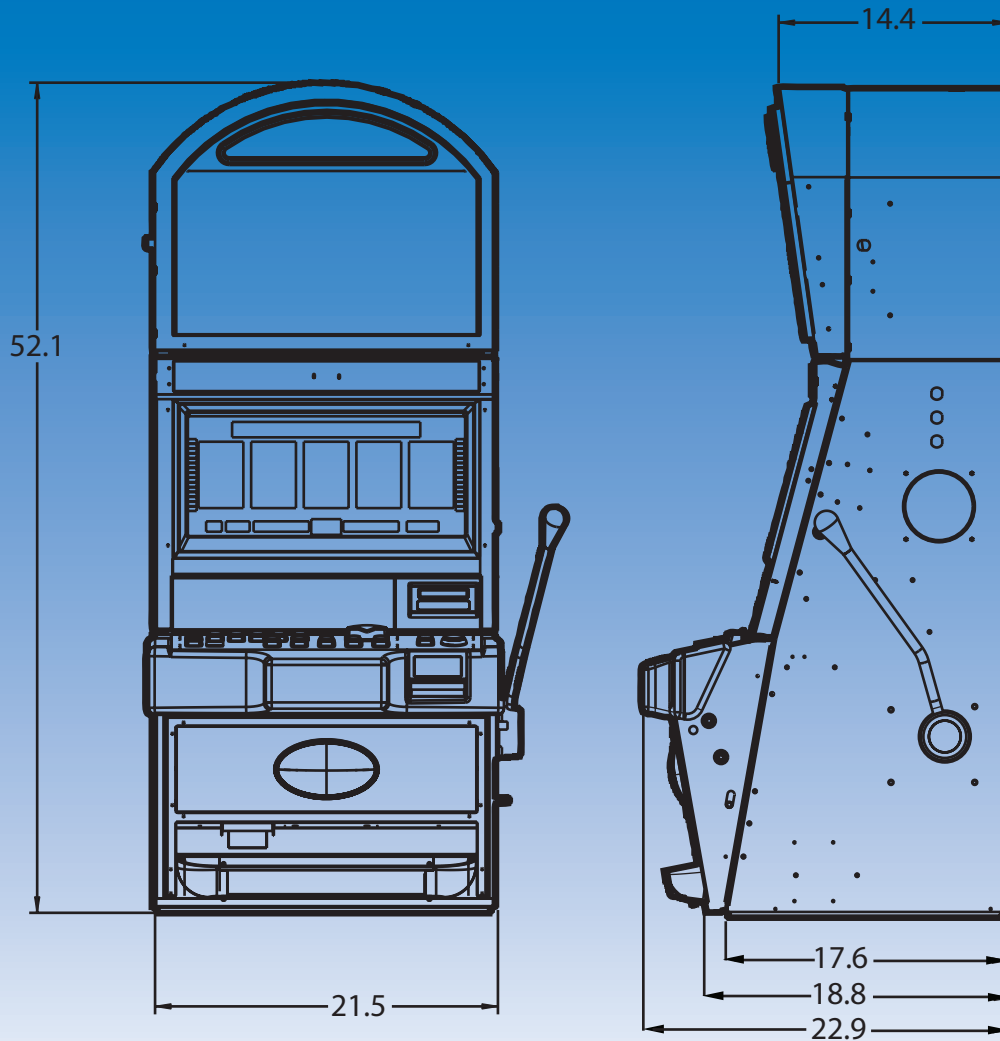
- Incorporates Bally's Universal Reel Glass, simplifying line configuration changes.

- Ergonomically located space for player tracking systems above the button deck.

- Common components with Bally's ALPHA Elite product line, reducing spares inventory.

- Switched and unswitched outlets included.

- Low maintenance design, utilizing components like LEDs.



# ALPHA Elite™ S9E

## Specifications

### BILL ACCEPTORS

JCM® WBA®/UBA™, MEI Cashflow™  
BILL ACCEPTOR BEZEL OPTIONS LED Bezel (standard), Sentry™  
BILL ACCEPTOR CASHBOX OPTIONS Metal, Plastic, JCM Intelligent,  
MEI easitrax™

### TICKET PRINTERS

Ithaca® 950, FutureLogic Gen2™  
COIN ACCEPTORS MC-40 (Coin Mechanisms Inc.), IDX®  
COIN TRAY Optional  
HOPPERS Bally

### PROGRESSIVE SUPPORT

Internal, External, Mystery

### ADJUSTABLE OPTIONS

Multi-denominational, Multi-percentage Multi-line

### BUTTON PANELS SUPPORTED

5 Button, 8 Button, 10 Button, 15 Button 16 Button,  
Unibutton™

### CUSHIONED FRONT BUMPER

Extended/Ergonomic, Flat

### TOP BOXES OFFERED\*

17" Oval with monitor, Specialty Chop Top

### TOPPERS\*

Oval, Round, Elliptical

### SAS VERSIONS SUPPORTED

SAS 6.01 with AFT, Promotional Credits Earlier SAS versions  
also supported.

### SCREEN

Diagonal: 20.1"  
Height: 17.5"  
Width: 9.8"

### SCREEN RESOLUTION

1360 × 768 pixels

### RECOMMENDED STAND HEIGHT

Oval Top: 19" (483 mm)  
Chop Top: 18" (457 mm)

### CABINET

Weight: 233 lbs (60.3kg)  
Oval Top Box Cabinet Height with Tower Light: 57.1" (1450 mm)  
Oval Top Box Cabinet Height without Tower Light: 52.1" (1323 mm)  
Chop Top Box Cabinet Height with Tower Light: 53.0" (1347 mm)  
Chop Top Box Cabinet Height without Tower Light: 48.0" (1220 mm)  
Width: 21.5" (547 mm)  
Depth: 22.9" (581 mm)

### POWER SUPPORTED

110 volts, 220 volts

Startup/Surge State: 3.0 A

Operating State: 1.9 A

Max Load: 6.3 A

Power Consumption: 739 BTU/hr

*Typical currents are provided for reference only. Actual current use will depend upon machine configuration and addition of supplemental equipment such as, but not limited to, systems monitoring equipment, progressive equipment, and service equipment.*

### SAFETY RATINGS

UL, CSA, CE, FCC

### FINISHES AND LAMINATES

Chrome or Gold, Custom laminate

### TOWER LIGHTS

2 Tier Short/Tall, 3 Tier, 4 Tier

### LOCKS

Top box, Upper cabinet, Lower cabinet, Belly/drop door, Cash box door, Cash box, CPU, CompactFlash® card, Stand. All lock openings are 5/8" x 3/4". Locks 1 1/8" long can be used with spacers to maintain the 1/2" lock length. Dual locks are optional.

\*game dependent

**Bally**  
TECHNOLOGIES®

www.BallyTech.com

CineVision\_C3\_r0609v2.1

6601 S. Bermuda Road  
Las Vegas, NV 89119  
(702) 584-7700 Phone  
(702) 584-7770 Fax

©2009 Bally Technologies, Inc.