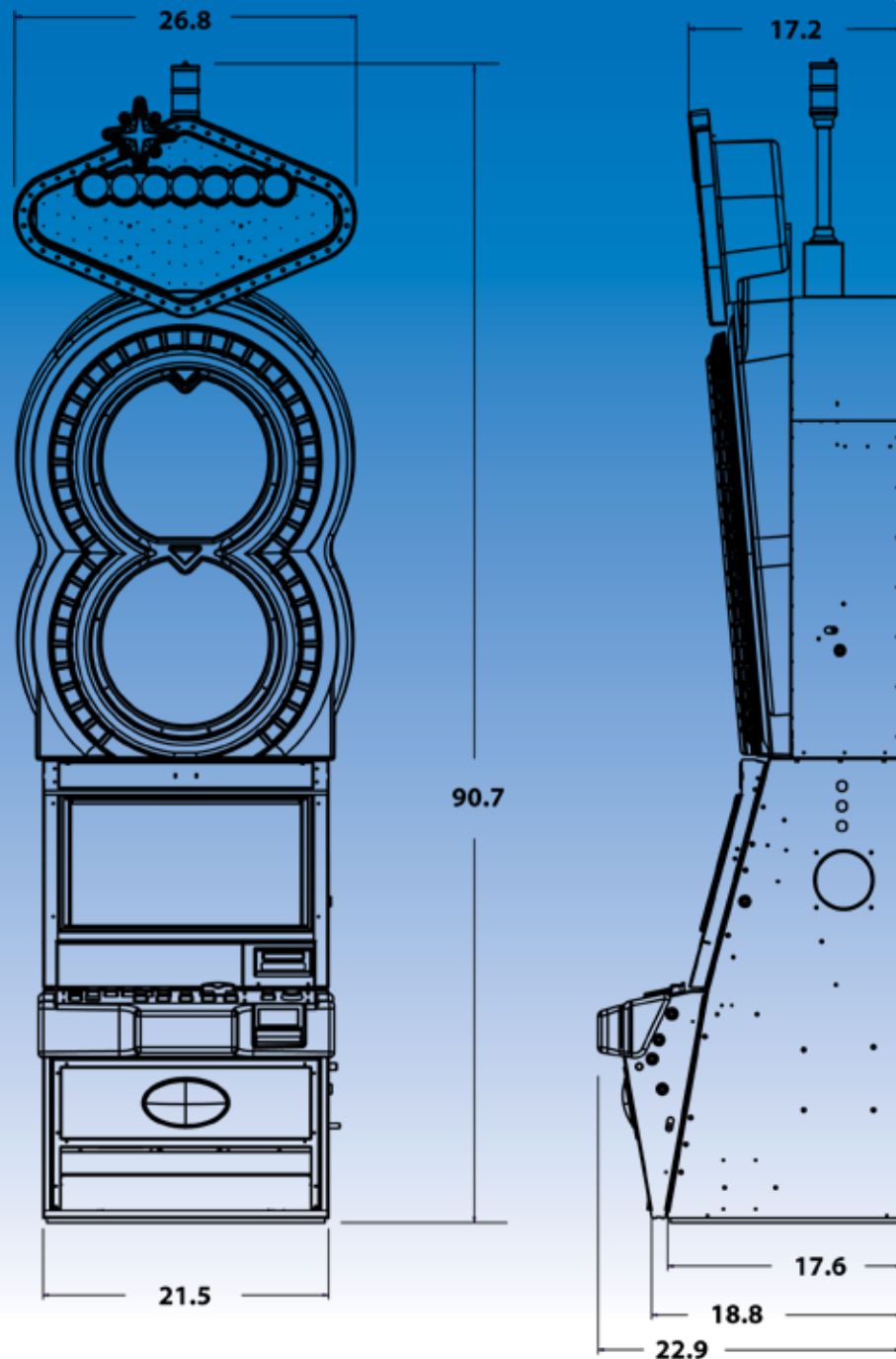


Hardware Specifications

 **ALPHA**
Elite™ • V20

with Dual Wheel Digital Tower



The **ALPHA Elite™ V20** with **Dual Wheel Digital Tower** takes Bally dual screen video games to the next level. Games with the **Dual Wheel Digital Tower** top box give players the mind-boggling excitement brought by the additional 32" high-definition display set with the **Dual Wheel** facade.

- Works with all the ALPHA-based video games designed with Dual Wheel Digital Tower game features.
- Unique bezel design with individually controlled light segments to enhance the dual wheel top box bonus features.
- Uses Bally's ALPHA OS™ with its user-friendly interface.
- Over 90" high allowing it to operate at superior earnings without an overhead sign package.
- Ergonomically located space for player tracking systems above the button deck.
- Common components with Bally's ALPHA Elite™ product line, reducing spares inventory.
- Switched and unswitched outlets included.
- Low maintenance design, utilizing components like LED and cold-cathode lighting.

ALPHA Elite™ V20 with Dual Wheel Digital Tower

Specifications

BILL ACCEPTORS	JCM® WBA®/UBA™, MEI Cashflow™
BILL ACCEPTOR BEZEL OPTIONS	LED Bezel (standard), Sentry™
BILL ACCEPTOR CASHBOX OPTIONS	Metal, Plastic, JCM Intelligent, MEI easitrax™

TICKET PRINTERS	Ithaca® 950, FutureLogic Gen2™
COIN ACCEPTORS	MC-40 (Coin Mechanisms Inc.), IDX®
COIN TRAY	Optional
HOPPERS	Bally

PROGRESSIVE SUPPORT* Internal, External, Mystery

ADJUSTABLE OPTIONS
Multi-denominational, Multi-percentage, Multi-line

BUTTON PANELS SUPPORTED*
5 Button, 8 Button, 10 Button, 1 Button 16 Button, Unibutton™

CUSHIONED FRONT BUMPER
Extended/Ergonomic, Flat

TOP BOXES OFFERED*
32" video top box

TOPPERS* N/A

SAS VERSIONS SUPPORTED
SAS 6.01 with AFT, Promotional Credits, Earlier SAS versions also supported.

SCREEN
Diagonal: 20.1"
Height: 17.5"
Width: 9.8"

SCREEN RESOLUTION 1360 × 768 pixels

RECOMMENDED STAND HEIGHT
Oval Top: 19" (483 mm)
Chop Top: 18" (457 mm)

CABINET	
Weight:	300 lbs (136.4 kg)
Cabinet Height with Tower Light:	90.70" (2304 mm)
Cabinet Height without Tower Light:	87.00" (2210mm)
Width:	26.80" (657 mm)
Depth:	22.90" (582 mm)

POWER SUPPORTED	110 volts, 220 volts
Startup/Surge State:	1.3 A
Operating State:	2.3 A
Max Load:	6.3 A
Power Consumption:	895 BTU/hr
<i>Typical currents are provided for reference only. Actual current use will depend upon machine configuration and addition of supplemental equipment such as, but not limited to, systems monitoring equipment, progressive equipment, and service equipment.</i>	

SAFETY RATINGS UL, CSA, CE, FCC

FINISHES AND LAMINATES
Chrome or Gold on Black, Custom laminate

TOWER LIGHTS 2 Tier Short/Tall, 3 Tier, 4 Tier

LOCKS
Top box, Upper cabinet, Lower cabinet, Belly/drop door, Cash box door, Cash box, CPU, CompactFlash® card, Stand, All lock openings are 5/8" x 3/4". Locks 1 1/8" long can be used with spacers to maintain the 1/2" lock length. Dual locks are optional.

*game dependent



www.BallyTech.com

6601 S. Bermuda Road
Las Vegas, NV 89119
(702) 584-7700 Phone
(702) 584-7770 Fax