

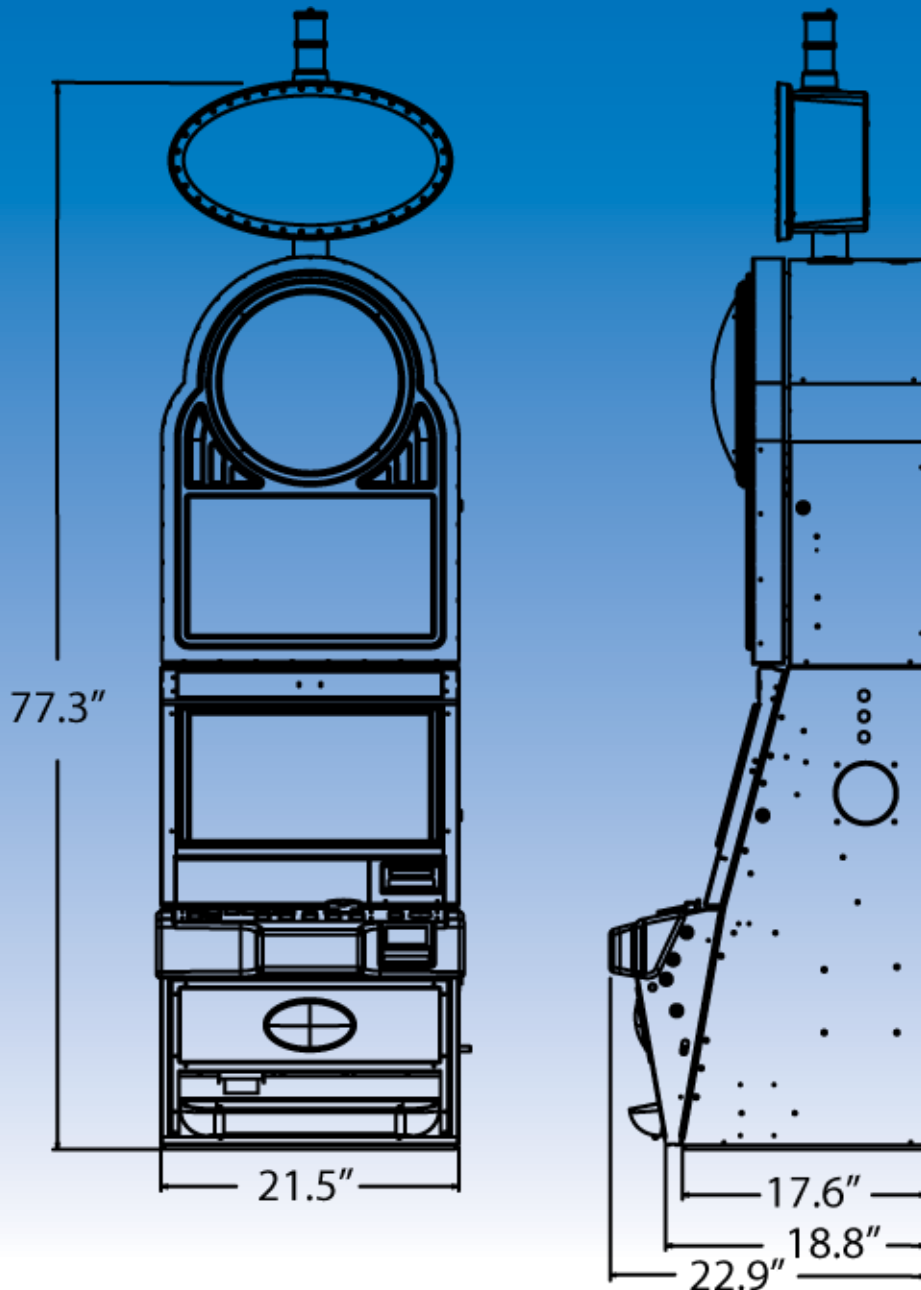
Hardware Specifications



ALPHA

Elite™ • V20

With Mini-Winners™ Top Box



The **ALPHA Elite V20** with **Mini Winners Top Box** adds exciting bonus features to Bally's video platform. With a 20" high definition touchscreen monitor, Bally's new ALPHA Elite V20 is sure to attract your player's attention. Bally is building on it's library of video games to include both **Instant Spin** and **Cashburst!** titles.

- Supports Bally's growing library of **Instant Spin** and **Cashburst!** titles, in high-definition video format.
- Uses Bally's ALPHA OS™ with its user-friendly interface.
- Height of over 77" offers a commanding floor presence and strong player attraction.
- Ergonomically located space for player tracking systems above the button deck.
- Common components with Bally's ALPHA Elite product line, reducing spares inventory.
- Switched and unswitched outlets included.
- Low maintenance design, utilizing components like LED and cold-cathode lighting.

ALPHA Elite™ V20 with Mini-Winners Top Box

Specifications

BILL ACCEPTORS	JCM® WBA®/UBA™, MEI Cashflow™
BILL ACCEPTOR BEZEL OPTIONS	LED Bezel (standard), Sentry™
BILL ACCEPTOR CASHBOX OPTIONS	Metal, Plastic, JCM Intelligent, MEI easitrax™

TICKET PRINTERS	Ithaca® 950, FutureLogic Gen2™
COIN ACCEPTORS	MC-40 (Coin Mechanisms Inc.), IDX®
COIN TRAY	Optional
HOPPERS	Bally

PROGRESSIVE SUPPORT Internal, External, Mystery

ADJUSTABLE OPTIONS
Multi-denominational, Multi-percentage, Multi-line

BUTTON PANELS SUPPORTED
5 Button, 8 Button, 10 Button, 15 Button 16 Button, Unibutton™

CUSHIONED FRONT BUMPER
Extended/Ergonomic, Flat

TOP BOXES OFFERED*
17" Oval Top Box with glass

TOPPERS* Elliptical

SAS VERSIONS SUPPORTED
SAS 6.01 with AFT, Promotional Credits, Earlier SAS versions also supported.

SCREEN
Diagonal: 20.1"
Height: 17.5"
Width: 9.8"

SCREEN RESOLUTION 1360 × 768 pixels

RECOMMENDED STAND HEIGHT
Oval Top: 18" (457 mm)

CABINET	
Weight:	260 lbs (118.2 kg)
Oval Top Box Cabinet Height with Tower Light:	82.6" (2098 mm)
Oval Top Box Cabinet Height without Tower Light:	77.3" (1963 mm)
Width:	21.50" (547 mm)
Depth:	22.9" (582 mm)

POWER SUPPORTED	110 volts, 220 volts
Startup/Surge State @110VAC:	3.0 A
Operating State @110VAC:	2.6 A
Max Load @110VAC:	6.3 A
Max Load @220VAC:	3.15 A
Power Consumption:	1011 BTU/hr
<i>Typical currents are provided for reference only. Actual current use will depend upon machine configuration and addition of supplemental equipment such as, but not limited to, systems monitoring equipment, progressive equipment, and service equipment.</i>	

SAFETY RATINGS UL, CSA, CE, FCC

FINISHES AND LAMINATES
Chrome or Gold on Black, Custom laminate

TOWER LIGHTS 2 Tier Short/Tall, 3 Tier, 4 Tier

LOCKS
Top box, Upper cabinet, Lower cabinet, Belly/drop door, Cash box door, Cash box, CPU, CompactFlash® card, Stand, All lock openings are 5/8" x 3/4". Locks 1 1/8" long can be used with spacers to maintain the 1/2" lock length. Dual locks are optional.

*game dependent

Bally
TECHNOLOGIES®

www.BallyTech.com

6601 S. Bermuda Road
Las Vegas, NV 89119
(702) 584-7700 Phone
(702) 584-7770 Fax