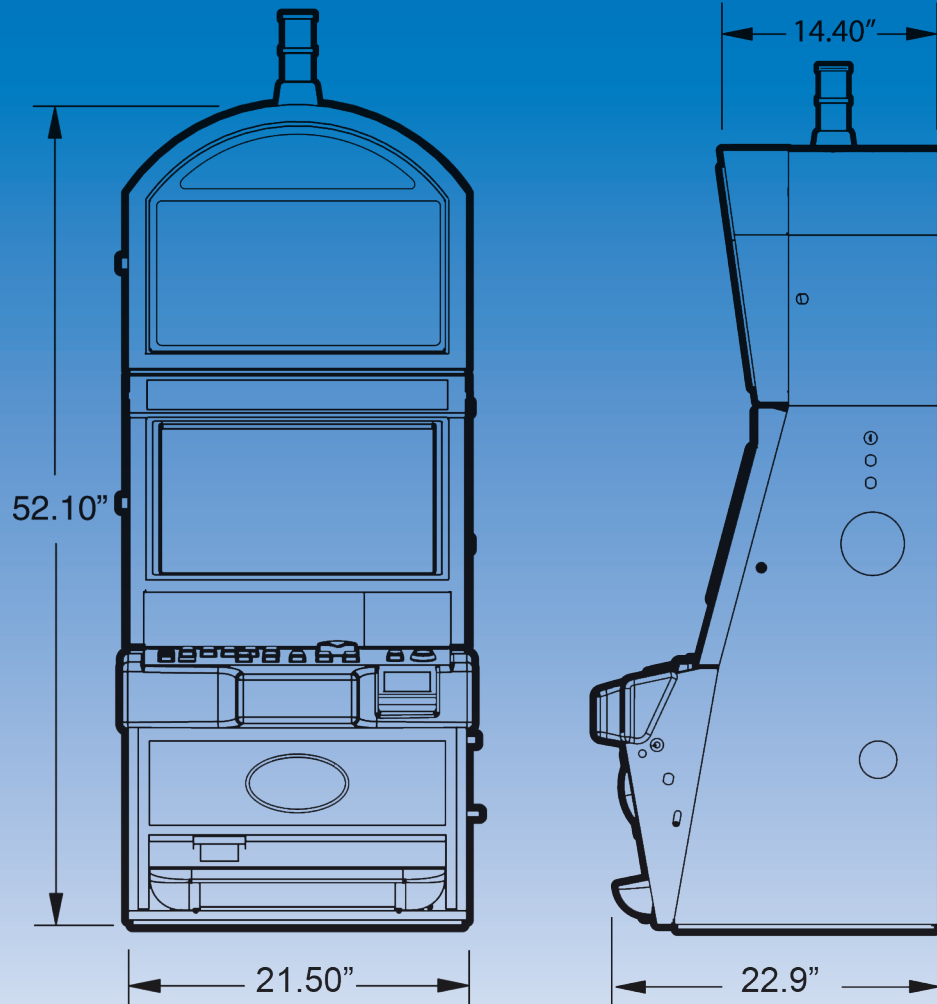


Hardware Specifications



The **ALPHA Elite V20** immerses players into the game. With a 20" high definition touchscreen monitor, Bally's new ALPHA Elite V20 is sure to attract your player's attention.

- Works with all the ALPHA based video games in our ALPHA product library and adds support for new high-definition gaming.
- Uses Bally's ALPHA OS™ with its user-friendly interface.
- 52.1" high allowing it to be placed back-to-back with Bally's ALPHA S9000, ALPHA M9000™, ALPHA Elite™ S9C, and ALPHA Elite™ S9E. Also available as a 48.03" chop top.
- Ergonomically located space for player tracking systems above the button deck.
- Common components with Bally's ALPHA Elite product line, reducing spares inventory.
- Switched and unswitched outlets included.
- Low maintenance design, utilizing components like LED and cold-cathode lighting.

ALPHA Elite™ V20

Specifications

BILL ACCEPTORS

JCM® WBA®/UBA™, MEI Cashflow™	
BILL ACCEPTOR BEZEL OPTIONS	LED Bezel (standard), Sentry™
BILL ACCEPTOR CASHBOX OPTIONS	Metal, Plastic, JCM Intelligent, MEI easitrax™

TICKET PRINTERS

Ithaca® 950, FutureLogic Gen2™	
COIN ACCEPTORS	MC-40 (Coin Mechanisms Inc.), IDX®
COIN TRAY	Optional
HOPPERS	Bally

PROGRESSIVE SUPPORT

Internal, External, Mystery

ADJUSTABLE OPTIONS

Multi-denominational, Multi-percentage, Multi-line

BUTTON PANELS SUPPORTED

5 Button, 8 Button, 10 Button, 15 Button 16 Button, Unibutton™

CUSHIONED FRONT BUMPER

Extended/Ergonomic, Flat

TOP BOXES OFFERED*

17" Oval Top Box with glass, Specialty Chop Top

TOPPERS*

Oval, Round, Elliptical

SAS VERSIONS SUPPORTED

SAS 6.01 with AFT, Promotional Credits, Earlier SAS versions also supported.

SCREEN

Diagonal: 20.1"
Height: 17.5"
Width: 9.8"

SCREEN RESOLUTION

1360 × 768 pixels

RECOMMENDED STAND HEIGHT

Oval Top: 19" (483 mm)
Chop Top: 18" (457 mm)

CABINET

Weight:	209 lbs (94.8 kg)
Oval Top Box Cabinet Height with Tower Light:	57.1" (1450 mm)
Oval Top Box Cabinet Height without Tower Light:	52.1" (1323 mm)
Chop Top Box Cabinet Height with Tower Light:	53.0" (1347 mm)
Chop Top Box Cabinet Height without Tower Light:	48.0" (1220 mm)
Width:	21.5" (547 mm)
Depth:	22.9" (581 mm)

POWER SUPPORTED

110 volts, 220 volts	
Startup/Surge State:	2.4 A
Operating State:	1.4 A
Max Load:	6.3 A
Power Consumption:	529.0 BTU/hr

Typical currents are provided for reference only. Actual current use will depend upon machine configuration and addition of supplemental equipment such as, but not limited to, systems monitoring equipment, progressive equipment, and service equipment.

SAFETY RATINGS

UL, CSA, CE, FCC

FINISHES AND LAMINATES

Chrome or Gold on Black, Custom laminate

TOWER LIGHTS

2 Tier Short/Tall, 3 Tier, 4 Tier

LOCKS

Top box, Upper cabinet, Lower cabinet, Belly/drop door, Cash box door, Cash box, CPU, CompactFlash® card, Stand, All lock openings are 5/8" x 3/4". Locks 1 1/8" long can be used with spacers to maintain the 1/2" lock length. Dual locks are optional.

*game dependent



www.BallyTech.com

ALPHA Elite V20_C3_r0609v2.1

6601 S. Bermuda Road
Las Vegas, NV 89119
(702) 584-7700 Phone
(702) 584-7770 Fax

©2009 BallyTechnologies, Inc.